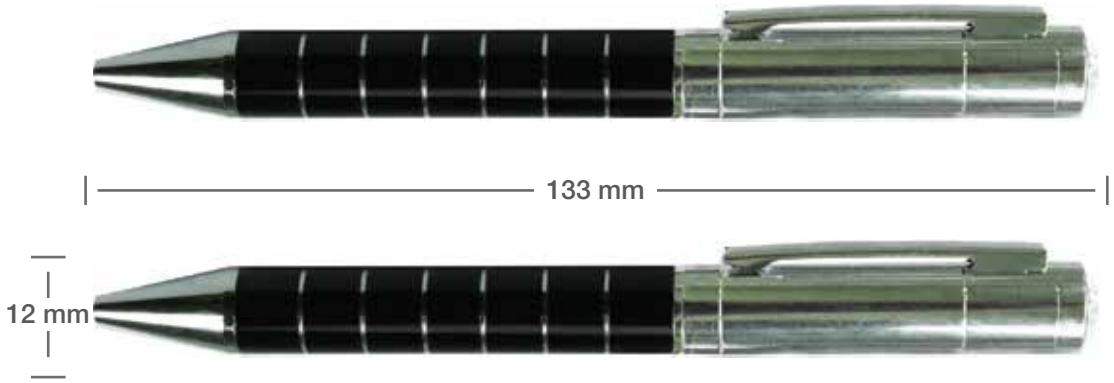


PN22
Dimensions



Printing Position

